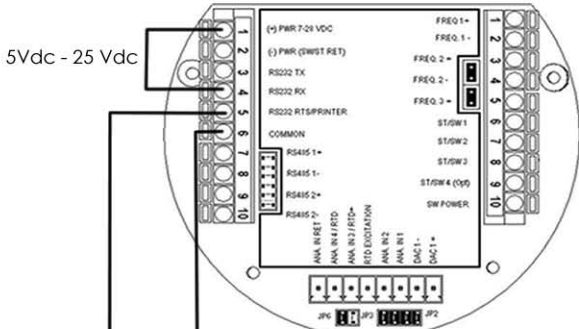


If RS232 Port Not in Use, Jumper Pin1 to Pin 4 to Enable Printer Communication

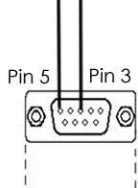


Flow Computer Port 2 Configuration
 RTS Selection: Printer
 Printer Baudrate: 9600
 Number of Nulls: 100

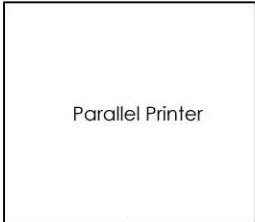
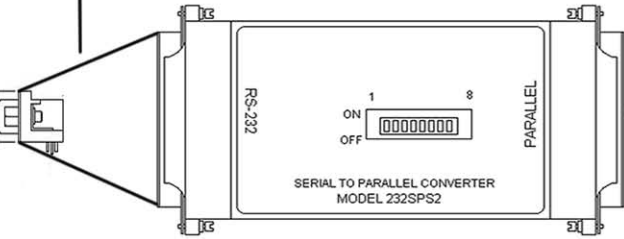
B&B Serial/Parallel Converter
 DIP Switch Settings

| | |
|---------|---------|
| 1 - ON | 5 - OFF |
| 2 - ON | 6 - OFF |
| 3 - OFF | 7 - OFF |
| 4 - OFF | 8 - OFF |

DB9 to DB25 Converter



Serial to Parallel Converter



Printer Parallel Cable

RESERVES THE RIGHT TO CHANGE THE DESIGN, DIMENSIONS OR MATERIAL CONTENTS OF OUR PRODUCTS WITHOUT PRIOR NOTIFICATION.

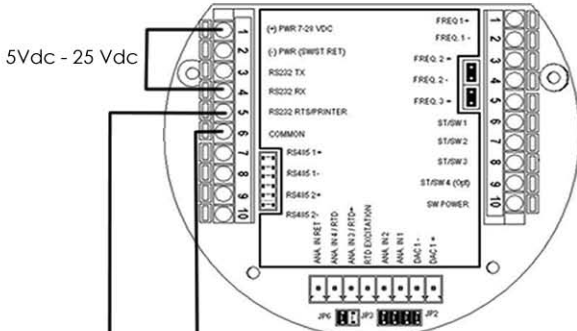
DFM - 7

DYNAMIC FLOW COMPUTERS, INC.

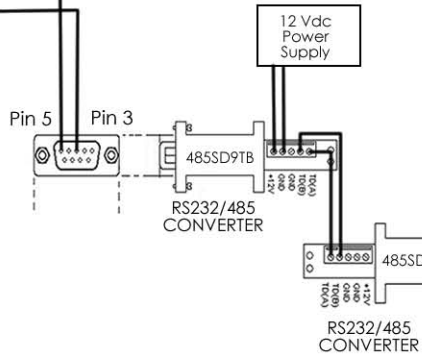
EXTERNAL DOCUMENT

MicroMV -Direct Printing to Parallel Printer

If RS232 Port Not in Use, Jumper Pin1 to Pin 4 to Enable Printer Communication



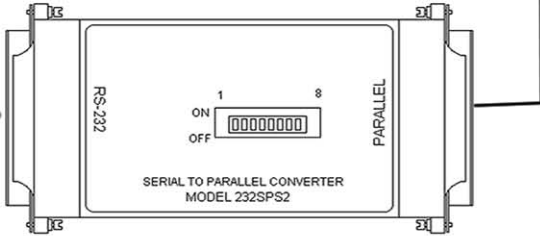
Flow Computer Port 2 Configuration
 RTS Selection: Printer
 Printer Baudrate: 9600
 Number of Nulls: 100



B&B Serial/Parallel Converter
 DIP Switch Settings

| | |
|---------|---------|
| 1 - ON | 5 - OFF |
| 2 - ON | 6 - OFF |
| 3 - OFF | 7 - OFF |
| 4 - OFF | 8 - OFF |

Serial to Paralell Converter



Printer Parallel Cable

RESERVES THE RIGHT TO CHANGE THE DESIGN, DIMENSIONS OR MATERIAL CONTENTS OF OUR PRODUCTS WITHOUT PRIOR NOTIFICATION.

DFM - 8

DYNAMIC FLOW COMPUTERS, INC.

EXTERNAL DOCUMENT

MicroMV -Printing to Parallel Printer via RS485