

ROSEMOUNT 'L' BRACKET WITH S6920 BRACKET & FLOW COMPUTER

1. Apply grease to the 1" NPT threads of S6920 Bracket and screw into the 1" NPT bottom thread of the S6920 (Flow Computer) Housing – Fig 1 & Fig 1a.

Tighten Bracket S6920 into the Flow Computer Housing.

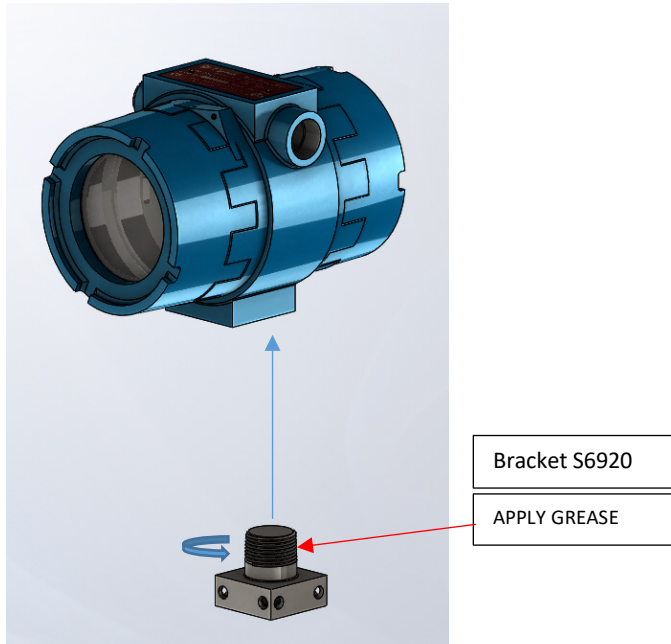


Fig 1.

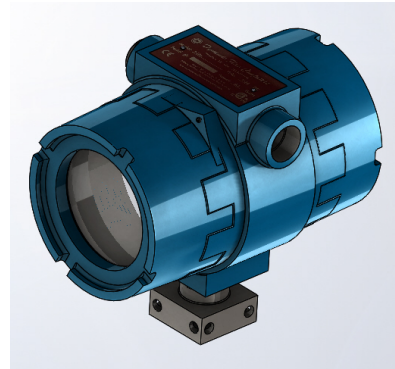


Fig 1a.

**Part Number: Bracket S6920**

Bracket for Pipe Mount

\* Accommodates S6920 Housing (Without Multivariable Transmitter)

\* Use with L-Shaped Mounting Bracket (Not Included)

2. Assemble the 2" U-Bolt, U-Bracket, L-Bracket, Flat Plate and 2ea 5/16 – 18 UNC Nuts onto 2" nominal pipe diameter mounting pole. – Fig 2 & Fig 2a.

Tighten U-Bolt onto pole in desired position.

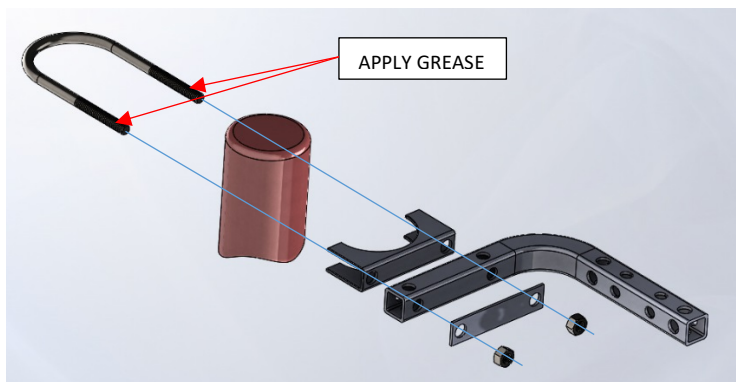


Fig 2.

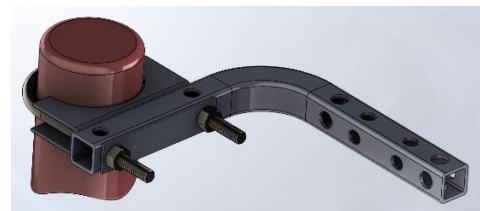


Fig 2a.

ROSEMOUNT 'L' BRACKET WITH S6920 BRACKET & FLOW COMPUTER

3. Attach S6920 Bracket / Flow Computer Housing Assembly (Fig 1a.) to U-Bolt / L-Bracket Assembly (Fig 2a.) using 2ea 3 ½" Long 5/16 – 18 UNC Bolts, 2ea lock washers and 2ea 5/16 – 18 UNC nuts – Fig 3 & Fig 3a.

Rotate Bracket S6920 by 90° if required.

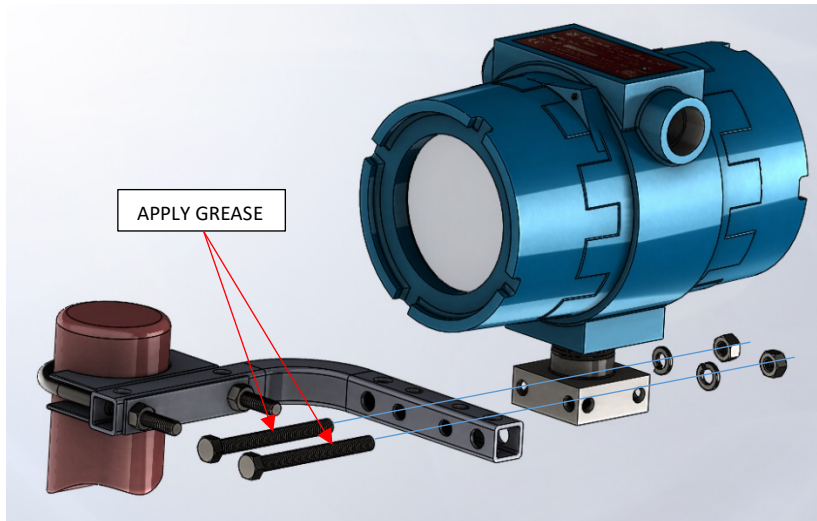


Fig 3.

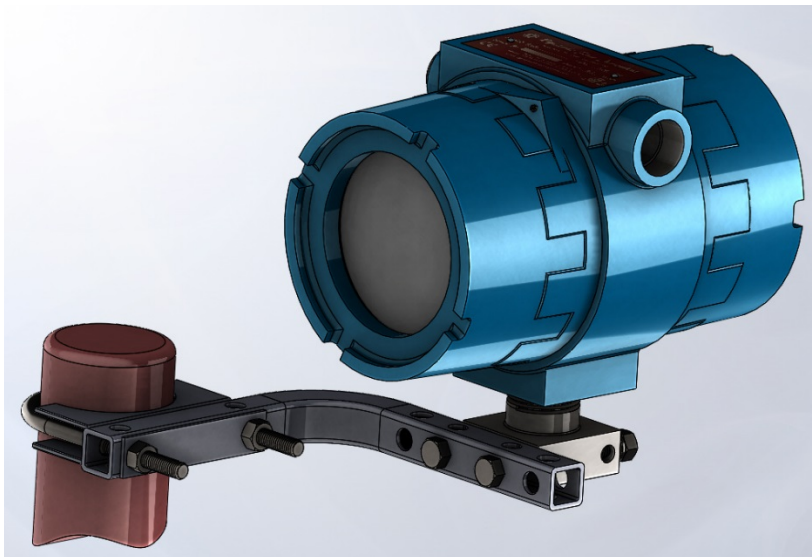


Fig 3a.